



Plastic pipes easily and reliably

FV PP-RCT STABIOXY

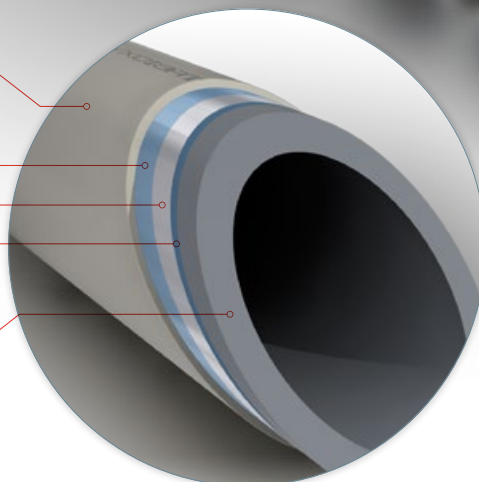
Five-layer pipe with an oxygen barrier $\varnothing 20 - \varnothing 110$ mm

REINFORCED WITH ALUMINIUM FOIL

OXYGEN BARRIER ACCORDING TO DIN 4726

NEW GENERATION POLYPROPYLENE PP-RCT

- PPR (outer protective layer)
- Adhesive
- Aluminium foil (oxygen barrier)
- Adhesive
- PP-RCT (high pressure and temperature resistance)



www.fv-plast.cz

Five-layer pipe

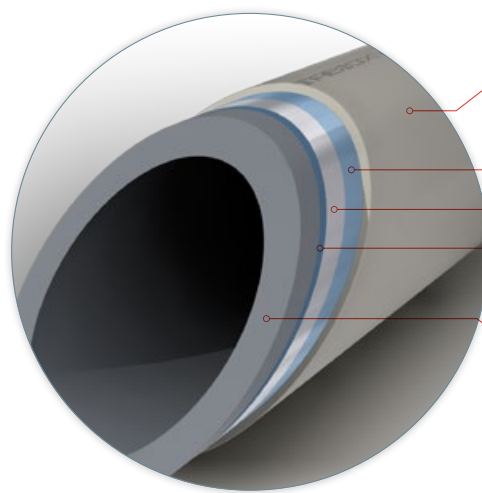
with an oxygen barrier $\varnothing 20 - \varnothing 110$ mm

Five-layer pipe with an oxygen barrier designed for high-temperature and low-temperature heating and cooling circuits

Main advantages of the new five-layer pipes

FV PP-RCT STABIOXY:

- High pressure resistance at a maximum application temperature of 90°C
- Higher flow rate - flow profile 20% larger than pipes made of PPR
- Oxygen barrier exceeding the requirement of DIN 4726
- 3x lower linear thermal expansion compared to PPR pipes
- Minimum life 50 years



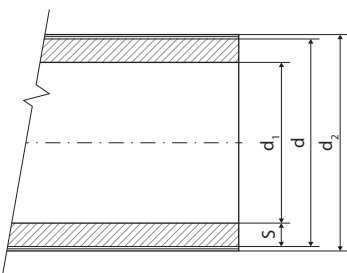
PPR
(outer protective layer)

Adhesive

Aluminium foil
(oxygen barrier)

Adhesive

PP-RCT (high pressure
and temperature resistance)



DIMENSIONS OF FV PP-RCT STABIOXY PIPES:

d [mm]	S [mm]	d ₁ [mm]	d ₂ [mm]	Weight [kg/m]
20	2,8	14,4	22,2	0,22
25	2,8	19,4	27,2	0,29
32	3,6	24,8	34,2	0,45
40	4,5	31,0	42,2	0,64
50	5,6	38,8	52,3	0,94
63	7,1	48,8	65,4	1,47
75	8,4	58,2	77,5	1,93
90	10,1	69,8	93,0	3,01
100	12,3	85,4	113,6	4,29

COMPARISON OF FV PP-RCT STABIOXY PIPES WITH FV PPR STABI PIPES:

Comparison of Parameters	STABI	STABIOXI
Colour	grey RAL7032	grey RAL7032
Wall composition	PPR/Al/PPR	PP-RCT/Al/PPR
Reinforcement	Al with perforation	Al without perforation
Pressure resistance according to class 2 (hot water 70°C)	8 bar	10 bar
Pressure resistance according to class 5 (vytápění, T _{max.} 90°C)	6 bar	8 bar
Series „S“	S 3,2	S 3,2 (Ø 20 mm) S 4 (Ø 25 – 110 mm)
SDR	7,4	7,4 (Ø 20 mm) 9 (Ø 25 – 110 mm)
Linear thermal expansion [mm/m°C]	0,05	0,05

Suitable applications:

- High-temperature heating circuits for power supply to radiators of all types
- Low-temperature heating circuits supplying distributors of floor, wall or ceiling heating
- Cooling circuits of low-potential surface ceiling cooling
- Air conditioning circuits supplying fan coils or heat exchangers

FV Plast a.s.

Kozovazská 1049/3 | 250 88 Čelákovice | Czech Republic

T: +420 326 706 711

F: +420 326 706 721

@: fv-plast@fv-plast.cz

www.fv-plast.cz

FV Plast STABIOXY $\varnothing 20 - \varnothing 110$ mm
New Five-layer pipe with an oxygen barrier